

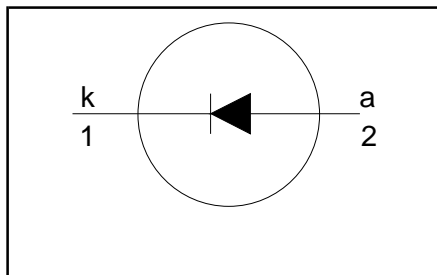
**Rectifier diodes  
ultrafast**

**BYR29 series**

**FEATURES**

- Low forward volt drop
- Fast switching
- Soft recovery characteristic
- Reverse surge capability
- High thermal cycling performance
- Low thermal resistance

**SYMBOL**



**QUICK REFERENCE DATA**

$V_R = 500\text{ V} / 600\text{ V} / 700\text{ V} / 800\text{ V}$
$V_F \leq 1.5\text{ V}$
$I_{F(AV)} = 8\text{ A}$
$t_{rr} \leq 75\text{ ns}$

**GENERAL DESCRIPTION**

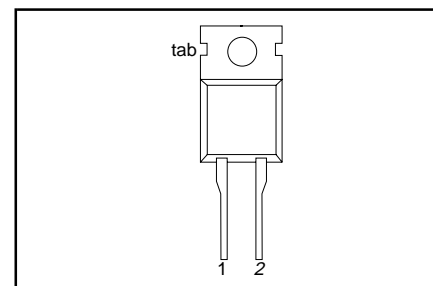
Ultra-fast, epitaxial rectifier diodes intended for use as output rectifiers in high frequency switched mode power supplies.

The BYR29 series is supplied in the conventional leaded SOD59 (TO220AC) package.

**PINNING**

PIN	DESCRIPTION
1	cathode
2	anode
tab	cathode

**SOD59 (TO220AC)**



**LIMITING VALUES**

Limiting values in accordance with the Absolute Maximum System (IEC 134).

SYMBOL	PARAMETER	CONDITIONS	MIN.	MAX.				UNIT
				-500	-600	-700	-800	
$V_{RRM}$	Peak repetitive reverse voltage	<b>BYR29</b>	-	500	600	700	800	V
$V_{RWM}$	Crest working reverse voltage		-	500	600	700	800	V
$V_R$	Continuous reverse voltage		-	500	600	700	800	V
$I_{F(AV)}$	Average forward current <sup>1</sup>	square wave; $\delta = 0.5$ ; $T_{mb} \leq 115\text{ }^\circ\text{C}$	-	8				A
$I_{FRM}$	Repetitive peak forward current	$t = 25\text{ }\mu\text{s}$ ; $\delta = 0.5$ ; $T_{mb} \leq 115\text{ }^\circ\text{C}$	-	16				A
$I_{FSM}$	Non-repetitive peak forward current	$t = 10\text{ ms}$	-	60				A
		$t = 8.3\text{ ms}$	-	66				A
$T_{stg}$	Storage temperature	sinusoidal; with reapplied $V_{RRM(max)}$	-40	150				$^\circ\text{C}$
$T_j$	Operating junction temperature		-	150				$^\circ\text{C}$

**THERMAL RESISTANCES**

SYMBOL	PARAMETER	CONDITIONS	MIN.	TYP.	MAX.	UNIT
$R_{th\ j-mb}$	Thermal resistance junction to mounting base		-	-	2.5	K/W
$R_{th\ j-a}$	Thermal resistance junction to ambient	in free air.	-	60	-	K/W

<sup>1</sup> Neglecting switching and reverse current losses

Rectifier diodes  
ultrafast

BYR29 series

**ELECTRICAL CHARACTERISTICS**

$T_j = 25\text{ }^\circ\text{C}$  unless otherwise stated

SYMBOL	PARAMETER	CONDITIONS	MIN.	TYP.	MAX.	UNIT
$V_F$	Forward voltage	$I_F = 8\text{ A}; T_j = 150\text{ }^\circ\text{C}$	-	1.07	1.50	V
		$I_F = 20\text{ A}$	-	1.75	1.95	V
$I_R$	Reverse current	$V_R = V_{RRM}$	-	1.0	10	$\mu\text{A}$
$Q_s$	Reverse recovery charge	$V_R = V_{RRM}; T_j = 100\text{ }^\circ\text{C}$ $I_F = 2\text{ A to } V_R \geq 30\text{ V};$ $di_F/dt = 20\text{ A}/\mu\text{s}$	-	0.1	0.2	mA
$t_{rr}$	Reverse recovery time	$I_F = 2\text{ A to } V_R \geq 30\text{ V};$ $di_F/dt = 100\text{ A}/\mu\text{s}$	-	60	75	ns
$I_{rrm}$	Peak reverse recovery current	$I_F = 10\text{ A to } V_R \geq 30\text{ V};$ $di_F/dt = 50\text{ A}/\mu\text{s}; T_j = 100\text{ }^\circ\text{C}$	-	-	6	A
$V_{fr}$	Forward recovery voltage	$I_F = 10\text{ A}; di_F/dt = 10\text{ A}/\mu\text{s}$	-	5.0	-	V

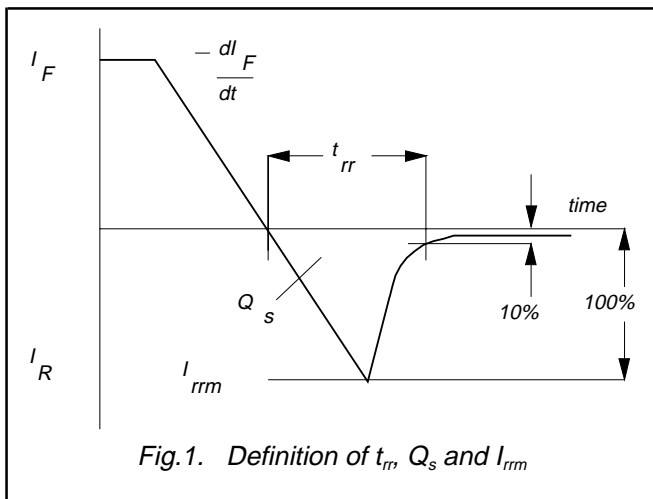


Fig.1. Definition of  $t_{rr}$ ,  $Q_s$  and  $I_{rrm}$

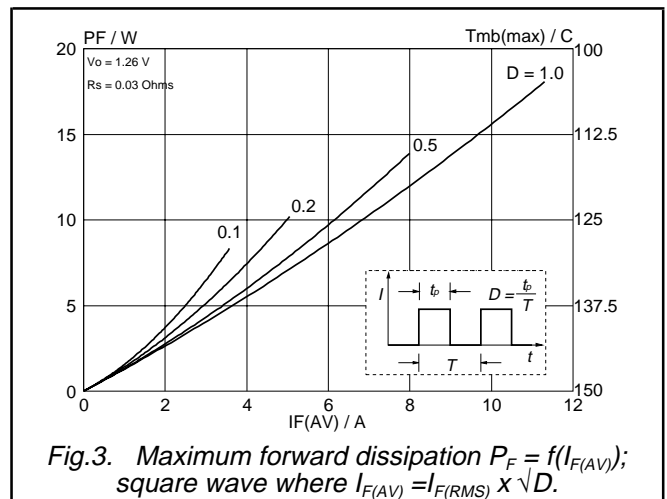


Fig.3. Maximum forward dissipation  $P_F = f(I_{F(AV)})$ ; square wave where  $I_{F(AV)} = I_{F(RMS)} \times \sqrt{D}$ .

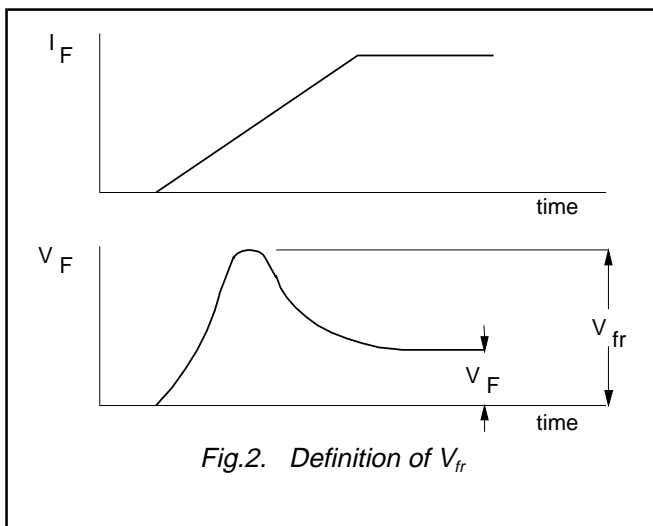


Fig.2. Definition of  $V_{fr}$

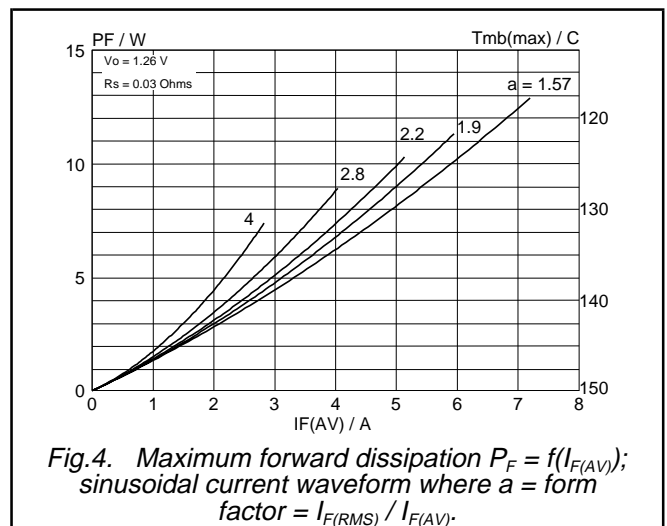


Fig.4. Maximum forward dissipation  $P_F = f(I_{F(AV)})$ ; sinusoidal current waveform where  $a = \text{form factor} = I_{F(RMS)} / I_{F(AV)}$ .

Rectifier diodes  
ultrafast

BYR29 series

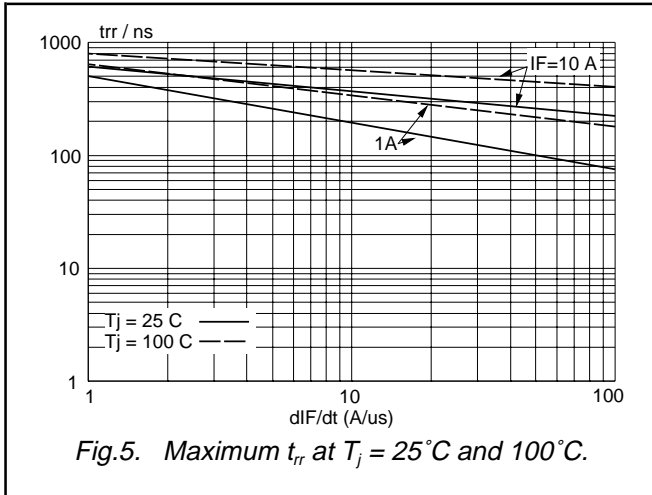


Fig.5. Maximum  $t_{rr}$  at  $T_j = 25^\circ\text{C}$  and  $100^\circ\text{C}$ .

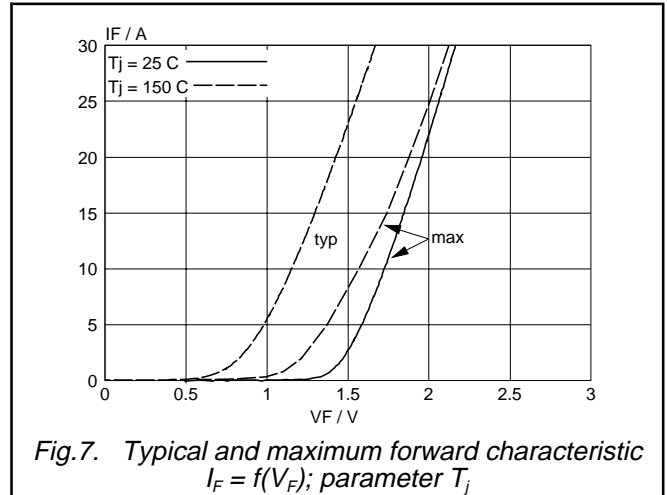


Fig.7. Typical and maximum forward characteristic  $I_F = f(V_F)$ ; parameter  $T_j$

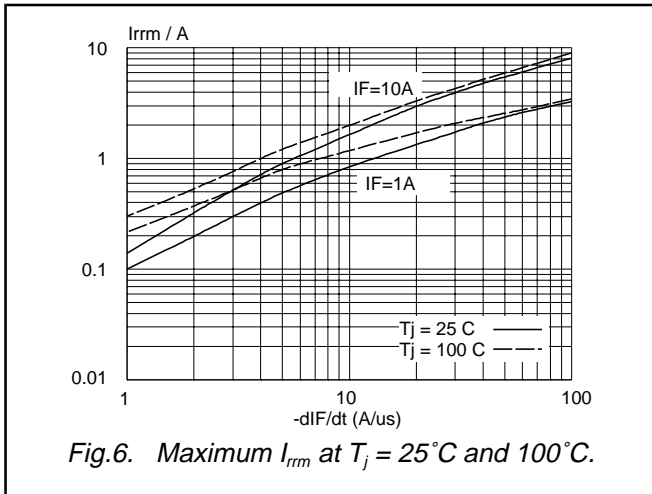


Fig.6. Maximum  $I_{rrm}$  at  $T_j = 25^\circ\text{C}$  and  $100^\circ\text{C}$ .

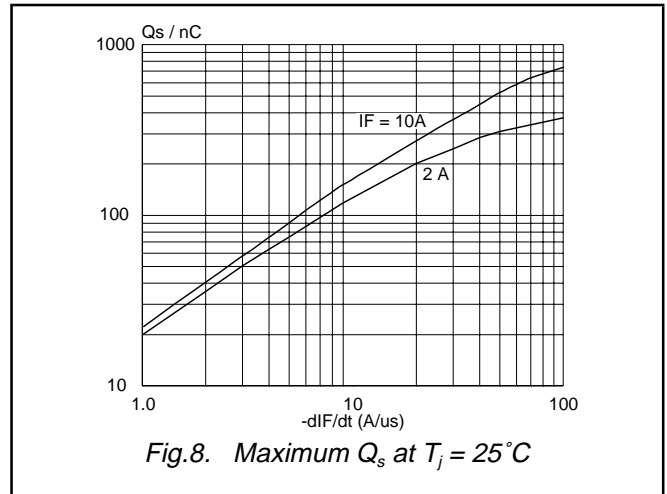


Fig.8. Maximum  $Q_s$  at  $T_j = 25^\circ\text{C}$

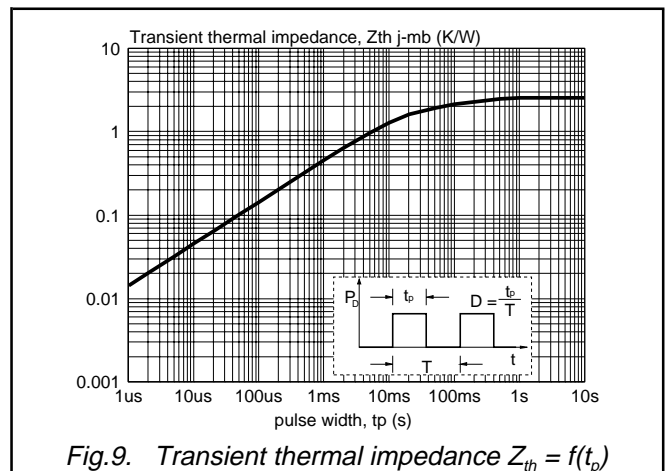
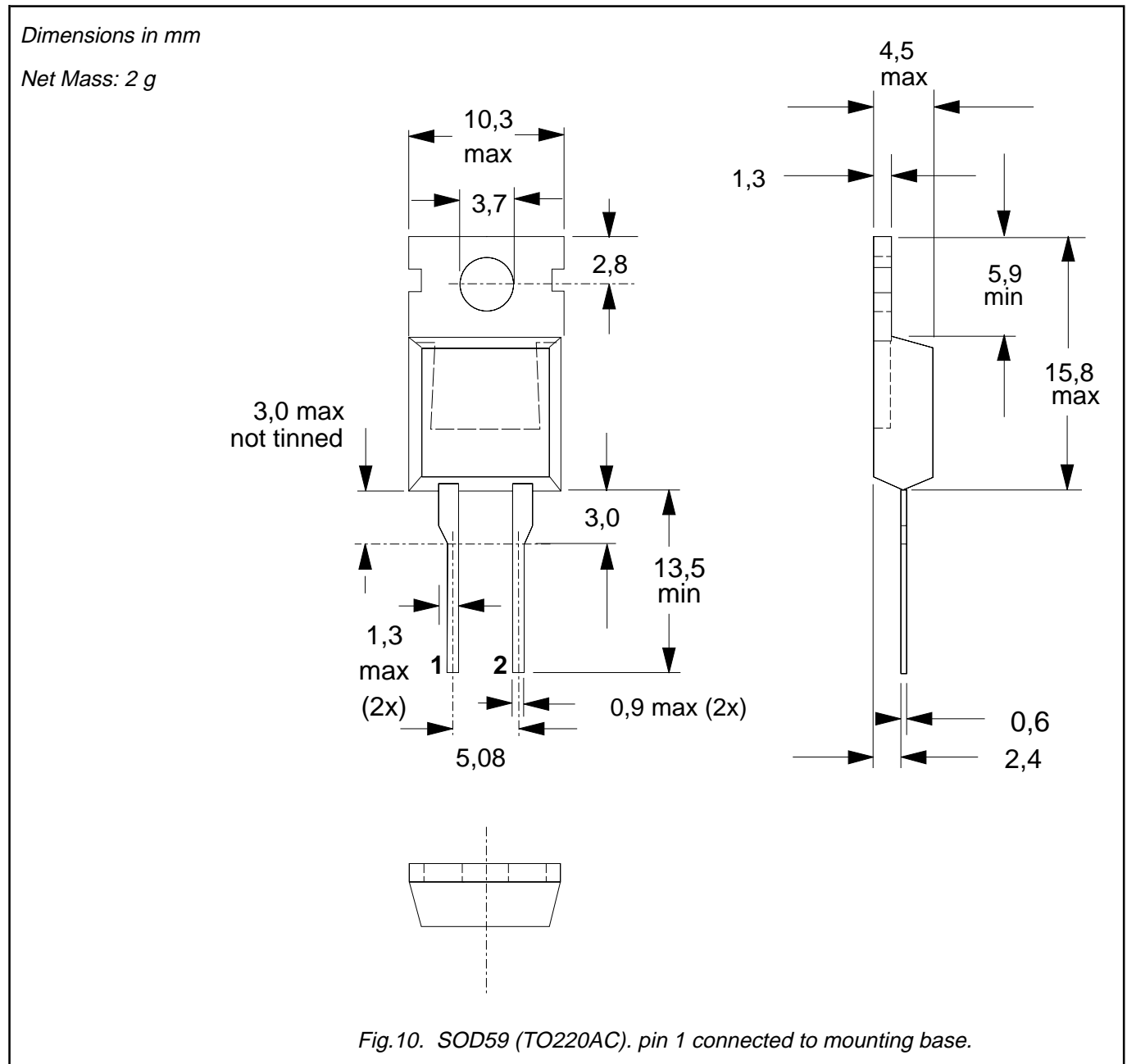


Fig.9. Transient thermal impedance  $Z_{th} = f(t_p)$

Rectifier diodes  
ultrafast

BYR29 series

**MECHANICAL DATA**



**Notes**

1. Refer to mounting instructions for TO220 envelopes.
2. Epoxy meets UL94 V0 at 1/8".

---

**Rectifier diodes  
ultrafast**


---

**BYR29 series****DEFINITIONS**

<b>Data sheet status</b>	
Objective specification	This data sheet contains target or goal specifications for product development.
Preliminary specification	This data sheet contains preliminary data; supplementary data may be published later.
Product specification	This data sheet contains final product specifications.
<b>Limiting values</b>	
Limiting values are given in accordance with the Absolute Maximum Rating System (IEC 134). Stress above one or more of the limiting values may cause permanent damage to the device. These are stress ratings only and operation of the device at these or at any other conditions above those given in the Characteristics sections of this specification is not implied. Exposure to limiting values for extended periods may affect device reliability.	
<b>Application information</b>	
Where application information is given, it is advisory and does not form part of the specification.	
<b>© Philips Electronics N.V. 1998</b>	
All rights are reserved. Reproduction in whole or in part is prohibited without the prior written consent of the copyright owner.	
The information presented in this document does not form part of any quotation or contract, it is believed to be accurate and reliable and may be changed without notice. No liability will be accepted by the publisher for any consequence of its use. Publication thereof does not convey nor imply any license under patent or other industrial or intellectual property rights.	

**LIFE SUPPORT APPLICATIONS**

These products are not designed for use in life support appliances, devices or systems where malfunction of these products can be reasonably expected to result in personal injury. Philips customers using or selling these products for use in such applications do so at their own risk and agree to fully indemnify Philips for any damages resulting from such improper use or sale.